

LOC	DIST	P	F	ZONE	LTR	REVISIONS	DATE	APPD
AD	39					REV PER 0010-0956-94	6-28-94	PS

D

C

B

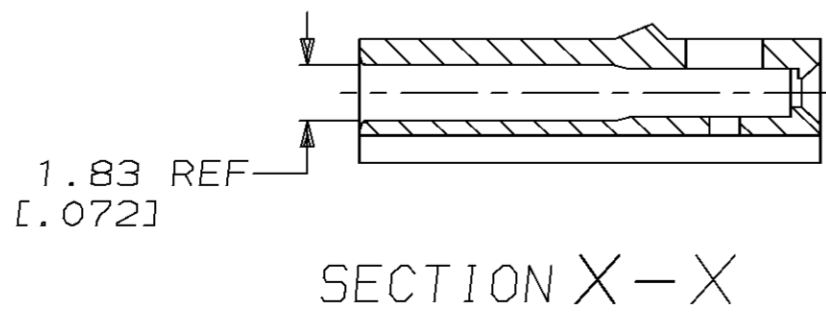
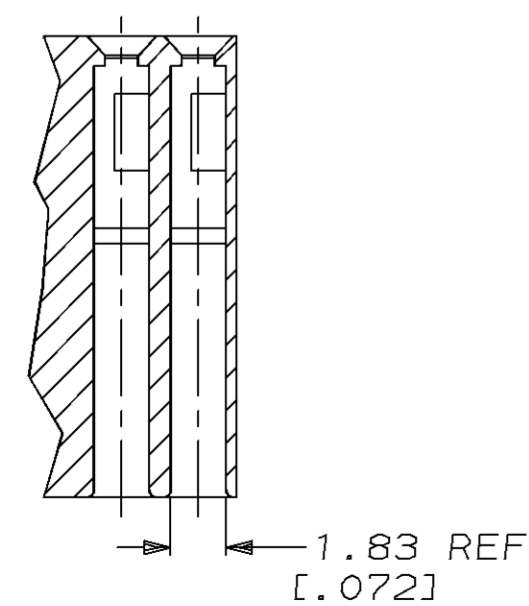
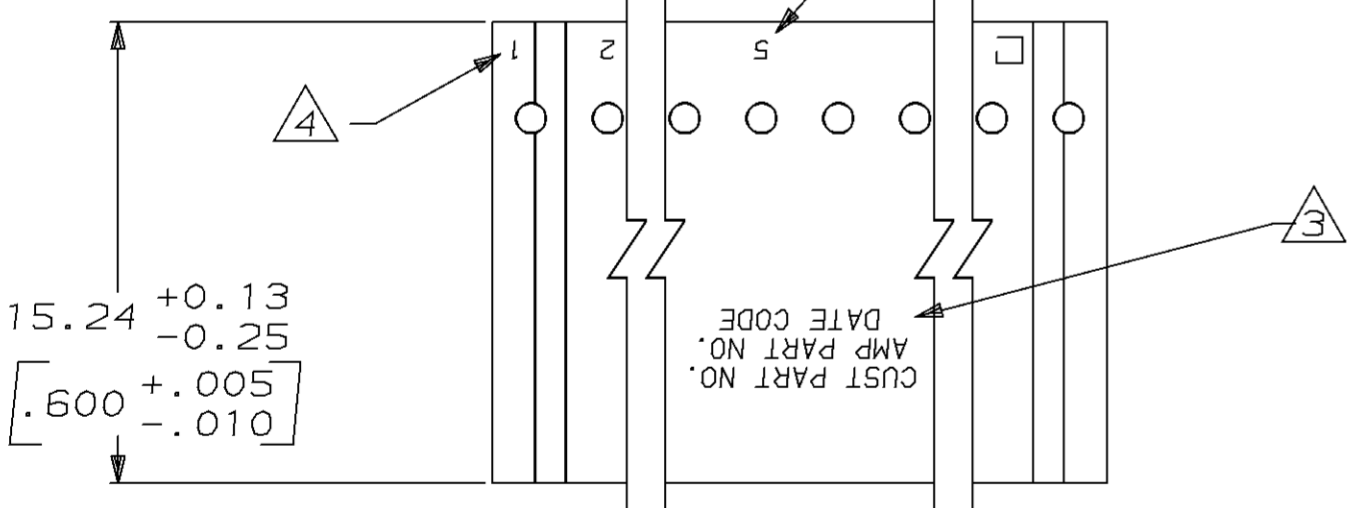
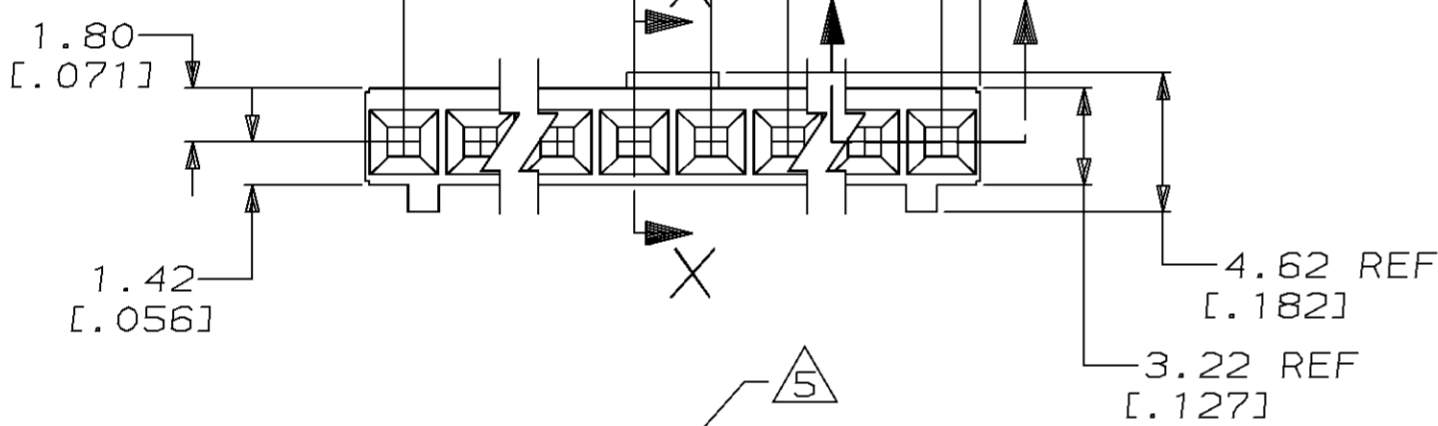
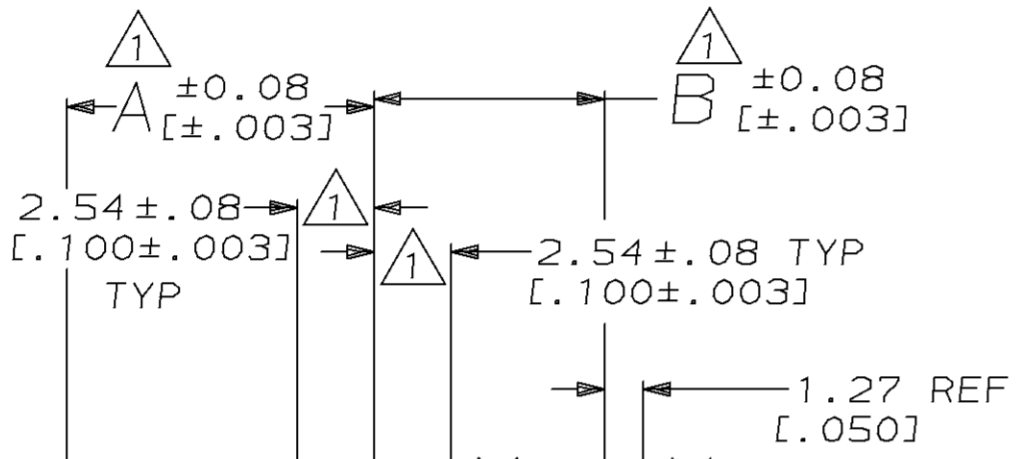
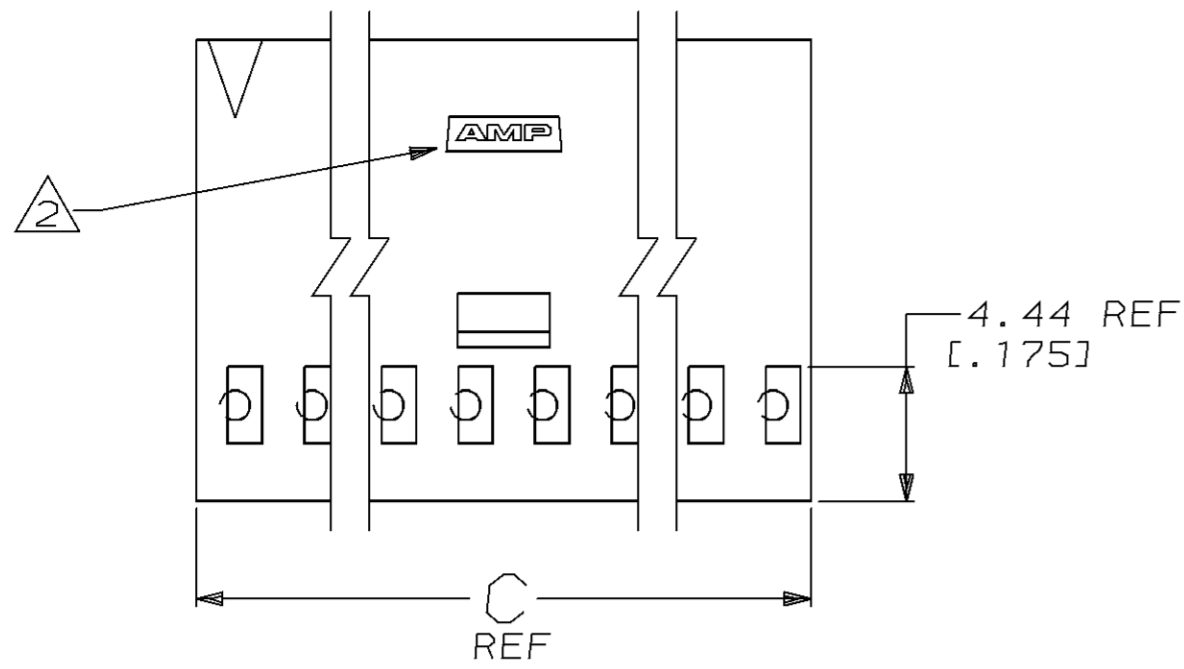
A

D

C

B

A



- ① CAVITY LOCATION DIMENSIONS INCREASE IN INCREMENTS OF 2.54 [.100] TOLERANCE NON-CUMULATIVE.
- ② TRADEMARK MOLDED IN RECESSED AREA
- ③ CUSTOMER PART NO., AMP PART NO., AND DATE CODE MARKED (WHITE) 1.58±0.38 [.062±.015] HIGH CHARACTERS IN AREA SHOWN, WHEN HOUSING SIZE PERMITS (7 POSN OR LARGER). IF SIZE DOES NOT PERMIT DATE CODE ONLY - MAY BE ROTATED 90° TO FIT.
- ④ CAVITY IDENT MARKED (WHITE) 1.17±0.38 [.046±.015] HIGH CHARACTERS FIRST CAVITY (ONE SIDE) (FOR PART NO. 102267-1 ONLY)
- ⑤ CAVITY IDENT MARKED (WHITE) 1.17±0.38 [.046±.015] HIGH CHARACTERS SECOND, EVERY FIFTH AND NEXT TO LAST CAVITY (ONE SIDE) (EXCEPT PART NO. 102267-1)

SUPERSEDED BY 102241-2

713W30431	10.16 [.400]	2.54 [.100]	5.08 [.200]	4	102267-9
-	-	-	-	-	-
-	-	-	-	-	-
-	-	-	-	-	-
-	-	-	-	-	-
-	-	-	-	-	-
713W31031	25.40 [1.000]	10.16 [.400]	12.70 [.500]	10	102267-3
713W30531	12.70 [.500]	5.08 [.200]	5.08 [.200]	5	102267-2
713W30331	7.62 [.300]	2.54 [.100]	2.54 [.100]	3	102267-1
CUSTOMER PART NO.	C	B	A	NO OF POSN	PART NUMBER

DO NOT SCALE PRINT. UNLESS SPECIFIED DIMENSIONS IN mm [INCHES] TOLERANCES ON : 2 PLC DEC ± .02 3 PLC DEC ± .005 ANGLES ± 0°30'		DR 6-28-94 E. BRANDBERG		AMP Incorporated Harrisburg, PA 17105-3608	
MATERIAL FLAME RETARDANT THERMOPLASTIC COLOR - BLACK		CHK 6-28-94 P. SREMCICH			
FINISH		APPD 6-28-94 P. SREMCICH		NAME CONN. HOUSING, CRIMP SNAP - IN, MOD IV, SINGLE ROW, 2.54 [.100] C, W/ POLARIZATION, DETENT AND MARKING	
-		APPD 6-28-94 P. SREMCICH		SIZE CAGE CODE DRAWING NO C 00779 C=102267	
-		PRODUCT SPEC		SCALE 4:1 SHEET 1 OF 1	
-		APPLICATION SPEC		-	
-		WEIGHT		-	

THIS DRAWING IS A CONTROLLED DOCUMENT FOR AMP INCORPORATED. IT IS SUBJECT TO CHANGE AND THE CONTROLLING ENGINEERING ORGANIZATION SHOULD BE CONTACTED FOR THE LATEST REVISION.